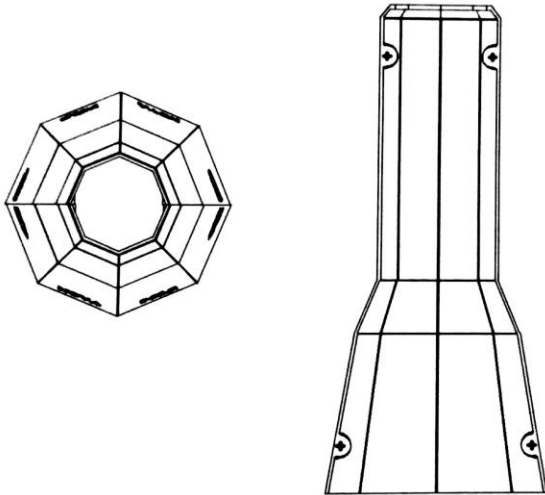




EAGLE MOUNTIAN DECORATIVE BASE COVER



Product Dimensions

Bottom Width – 16 ¾”

Overall Height – 37”



64 Ma-Te-way Park Drive,
Renfrew, ON, Canada
www.novapoleindustries.ca

Available to fit a
5”, 6” – 6 5/8”
Round Pole
or Octagonal Pole

Pole Shaft can be
Tapered or Straight

Two Piece Base Cover
Cast Aluminum

Base Cover
Part # - 9157

For more information or
to place an order please
contact our sales team
at

613.432.7653